

ROSSO-12CX350

12" - Coaxial - 700W - 96dB

AUDIENCE



- Cast aluminum chassis and HF rear chamber
- Integrated high precision machined HF horn
- Common HF/LF ferrite magnet motor structure
- Minimum damping fiber glass voice coil former
- Ribbon voice coil wire for high efficiency of HF section
- Additional support Neo slug magnet on pole piece for higher SPL
- Weather-proof coated paper cone made in house with sisal and manila fibers

Dimension & Weight

Overall Diameter	322.5 mm (12.7 in)
Bolt Circle Diameter	306.5 mm (12.07 in)
Baffle Cutout Diameter	289 mm (11.38 in)
Mounting Depth	161.7 mm (6.36 in)
Flange and Gasket Thickness	11.8 mm (0.46 in)
Net Weight	6.3 Kg (13.9 lb)
Shipping Box	355 x 355 x 230 mm (13.97 x 13.97 x 9.05 in)
Gross Weight	7.4 Kg (16.31 lb)

HF-Replacement Diaphragm

1P000OPSB042

LF-Recone Kit

1P000OPSB040

NOTES :

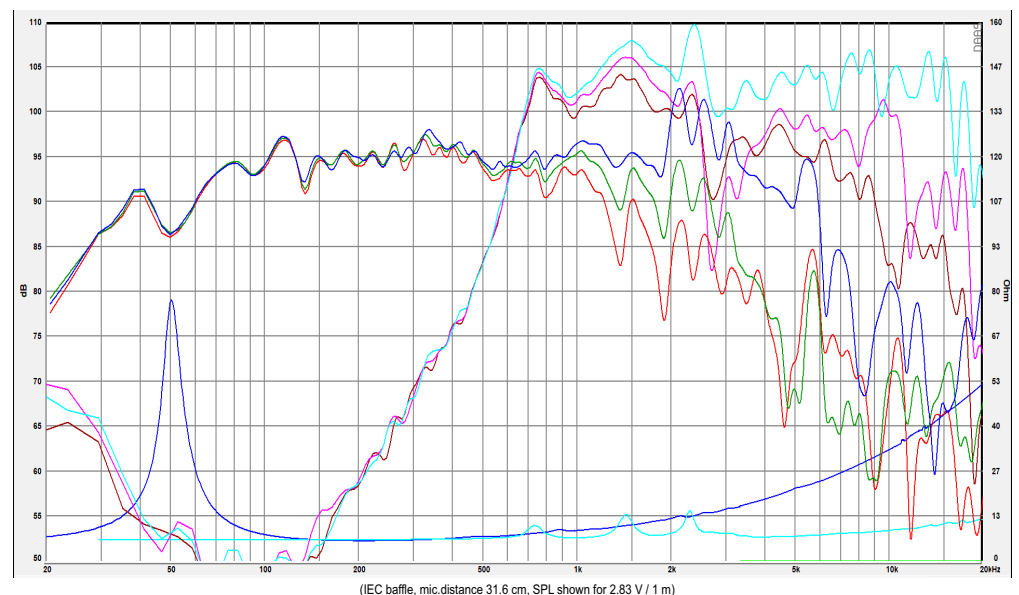
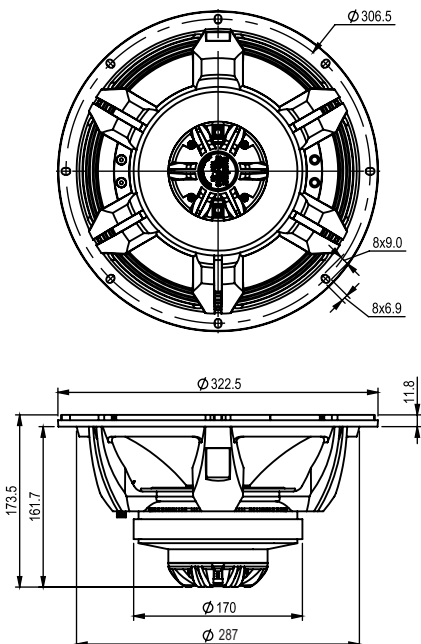
- (1) AES standard, test mode with continuous pink noise signal (6 dB crest factor; 2 hours) within the Fo to 10Fo power calculated on rated minimum impedance. Loudspeaker in free air
- (2) Maximum power is defined as 3dB greater than nominal power
- (3) Measured average within the frequency range (150Hz - 2kHz)
- (4) $X_{max} = ((Winding\ depth - magnetic\ gap\ depth)/2) + (magnetic\ gap\ depth)/3$
- (5) Maximum excursion (p-p) before permanent damage
- (6) T/S parameters measured on drive units that are broken in

Specs

	LF Unit	HF Unit
Nominal Impedance	8 Ohm	8 Ohm
Minimum Impedance	6.2 Ohm	6.8 Ohm
AES Power Handling (1)	350 W	50 W
Maximum Power Handling (2)	700 W	100 W
Sensitivity (2.83V/1m) (3)	96 dB	102 dB
Frequency Range	49 - 6300 Hz	1500 - 20000 Hz
Voice Coil Diameter	60.6 mm (2.38 in)	44.3 mm (1.74 in)
Winding Material	ASVCAW	PSVCAR
Former Material	Till	Kapton
Winding Depth	19.1 mm	2.25 mm
Magnetic Gap Depth	8 mm (0.31 in)	2.25 mm (0.09 in)
Flux Density	0.94 T	1.5 T
Magnet	Ferrite, Neo	-
Basket Material	Aluminium die cast	Aluminium die cast
Demodulation	-	-
Cone Surround	Cloth triple roll	PEEK
NET Air Volume filled by driver	4.5 liters	
Spider Profile	Single constant height waves	
Weather Resistant	Yes	

Thiele Small Parameters

Fs	49 Hz
Re	5.2 Ohm
Qes	0.52
Qms	6.99
Qts	0.49
Vas	90.4 liters
Sd	530.9 cm ²
Xmax (4)	8.2 mm
Xdamage (5)	32 mm
Mms	47.5 g
Bl	12.1 Tm
Le	0.58 mH
Cms	0.23 mm/N
Rms	2.07 Kg/s
Eta Zero	1.91 %
EBP	94



Response Curve:

Woofer → (Blue) : on axis

(Green) : 30° off-axis

(Red) : 60° off-axis

Tweeter → (Cyan) : on axis

(Purple) : 30° off-axis

(Brown) : 60° off-axis