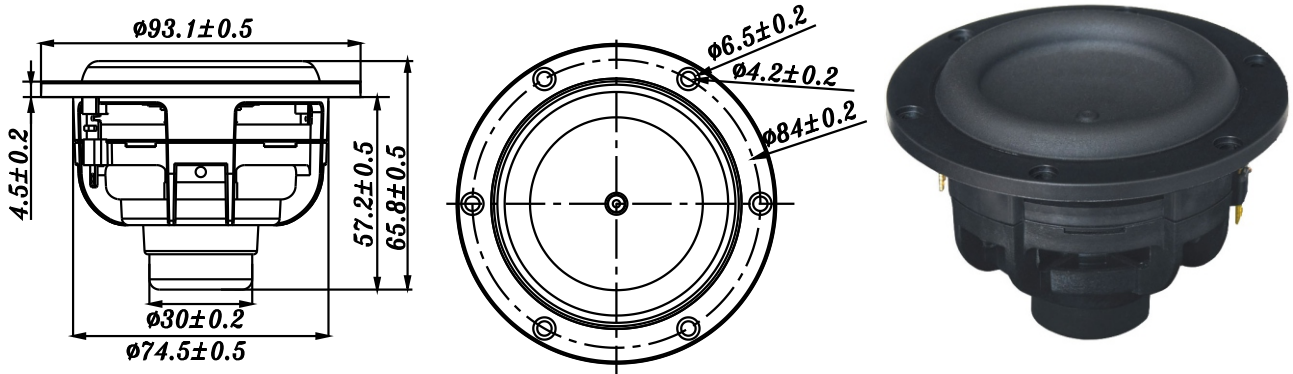


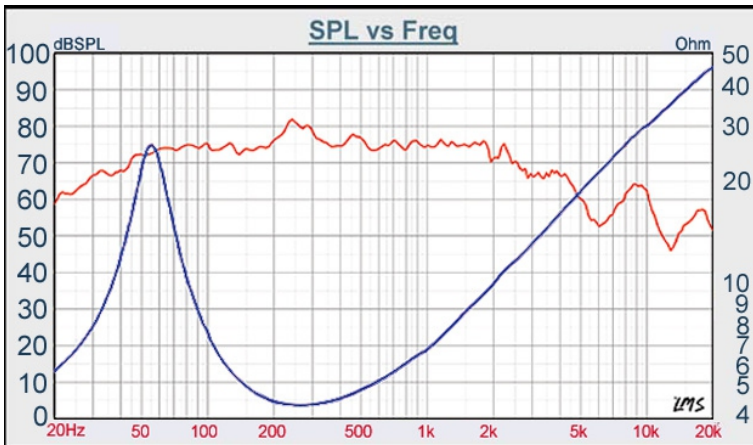
SU SERIES

W3-1876S



- 3INCH OF SMALL SUBWOOFER DESIGN, 20MM OF VC
- LONG THROW OF $X_{max}=5\text{MM}$, $FO = 55\text{Hz}$
- PATENTED STRUCTURE DESIGN
- NEW MATERIAL APPLIED WITH INJECTION ASSEMBLY PROCESS
- NEO MAGNET MOTOR
- MULTI-MEDIA, HOME HI-FI APPLICATION

3" SUBWOOFER



DIAPHRAGM MTL	PP
SURROUND MTL	Santoprene
NOMINAL IMPEDANCE	4 Ω
DCR IMPEDANCE	3.6 Ω
SENSITIVITY 1W/1M	76 dB
FREQUENCY RESPONSE	55 - 2 KHz
FREE AIR RESONANCE	55 Hz
VOICE COIL DIAMETER	20.4 mm
AIR GAP HEIGHT	4 mm
RATED POWER INPUT	15 W
MAXIMUM POWER INPUT	30 W
FORCE FACTOR, BL	5.28 TM
TYPE OF MAGNET	Neodymium
MOVING MASS	9.98 g
FERROFLUID ENHANCED	No
SUSPENSION COMPLIANCE	737.67 μMN^{-1}
EFFECTIVE PISTON AREA	0.0027 M^2
Levc	0.19 mH
Zo	75 Ω
Xmax	5 mm
Vas	0.88 Litr
Qts	0.43
Qms	3.17
Qes	0.50

TB SPEAKERS

VOICE: 886.2.26570282 FAX: 886.2.26580166
E-MAIL: info@tb-speaker.com