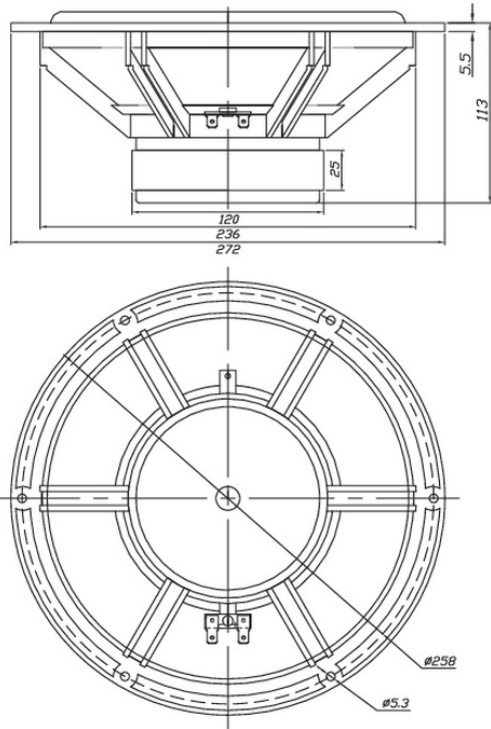




RS270-4 10" Reference Woofer 4 Ohm

RS270-4



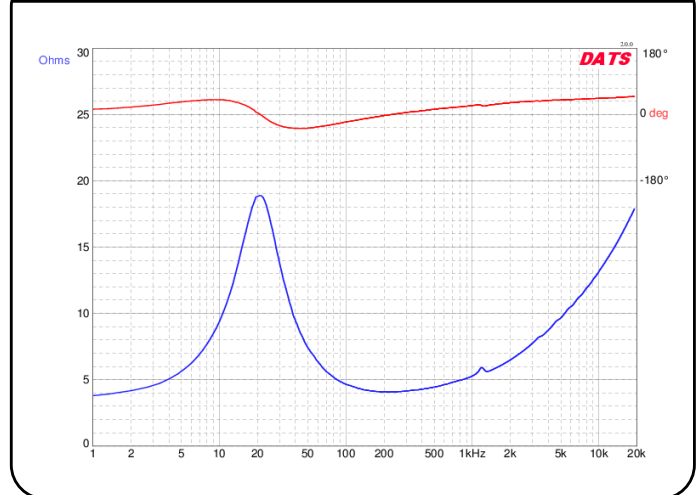
PARAMETERS

| | |
|-----------------------------|-----------------------|
| Impedance | 4 ohms |
| Re | 3.9 ohms |
| Le | 0.57 mH |
| Fs | 20.9 Hz |
| Qms | 1.33 |
| Qes | 0.35 |
| Qts | 0.27 |
| Mms | 98.6g |
| Cms | 0.59 mm/N |
| Sd | 346.4 cm ² |
| Vd | 207.8 cm ³ |
| BL | 12.1 Tm |
| Vas | 98.6 liters |
| Xmax | 6.0 mm |
| VC Diameter | 2" |
| SPL | 89.2 dB @ 2.83V/1m |
| RMS Power Handling | 100 watts |
| Usable Frequency Range (Hz) | 21 - 2,000 Hz |

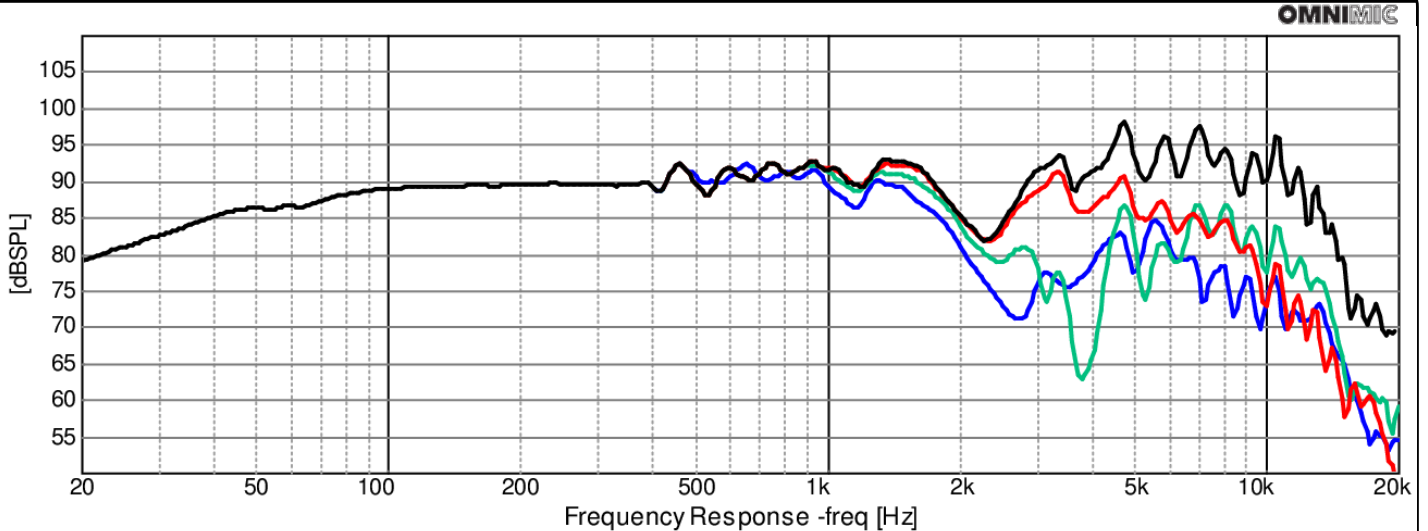
FEATURES

- One of the lowest distortion, highest resolution driver series available
- Compliant suspension and rigid black anodized aluminum cone for strong bass performance
- Heavy-duty 6-hole cast frame, low-loss rubber surround, and solid aluminum phase plug
- 89.2 dB sensitivity and 6 mm of excursion

IMPEDANCE/PHASE



FREQUENCY RESPONSE



OmniMic

Note: 1/24th octave smoothing - nearfield response included in graph below 450 Hz.

Black = 0°
Red = 15°
Green = 30°
Blue = 45°