



## 8PF-8 8" PAPER CONE FOAM SURROUND WOOFER

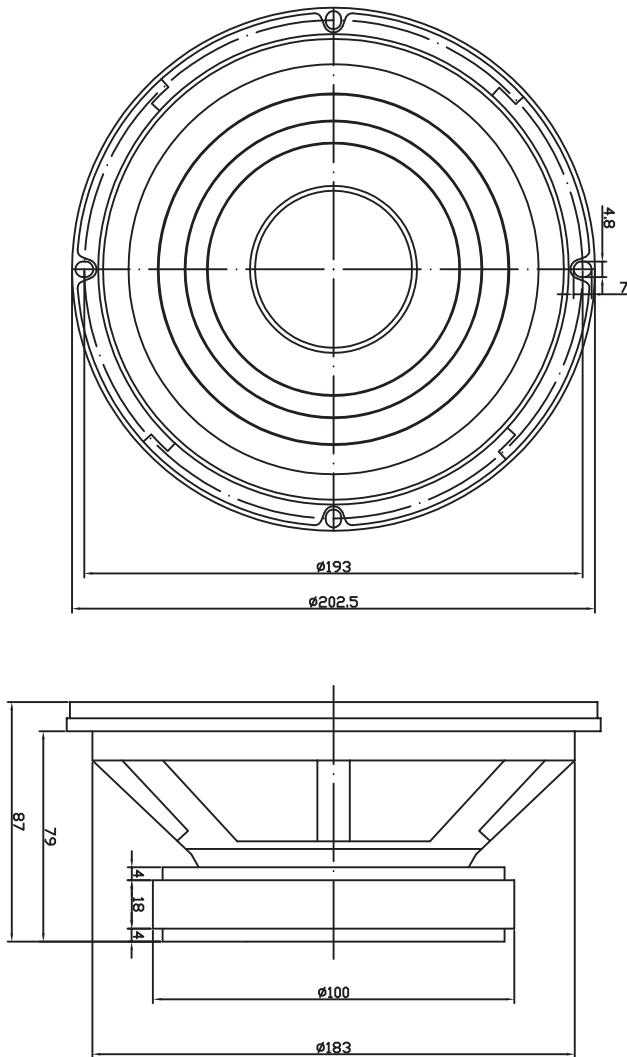
### FEATURES

- Perfect for use in sealed enclosures
- Poly-laminated paper cone, treated foam surround, and polymer dust cap
- Smooth frequency response with minimal cone breakup
- Great replacement speaker

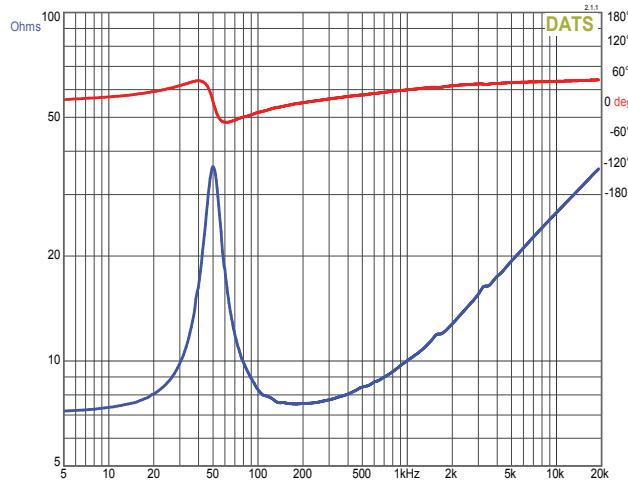
### PARAMETERS

Impedance	8 ohms
Re	7.2 ohms
Le	1.1 mH
Fs	50 Hz
Qms	4.94
Qes	1.22
Qts	0.98
Mms	23.3 g
Cms	0.44 mm/N
Sd	215.4 cm <sup>2</sup>
Vd	65 cm <sup>3</sup>
BL	6.5 Tm
Vas	28.9 liters
Xmax	3 mm
VC Diameter	38 mm
SPL	87 dB @ 2.83V/1m
RMS Power Handling (AES 426B)	100 watts
Usable Frequency Range (Hz)	55 - 6,000 Hz

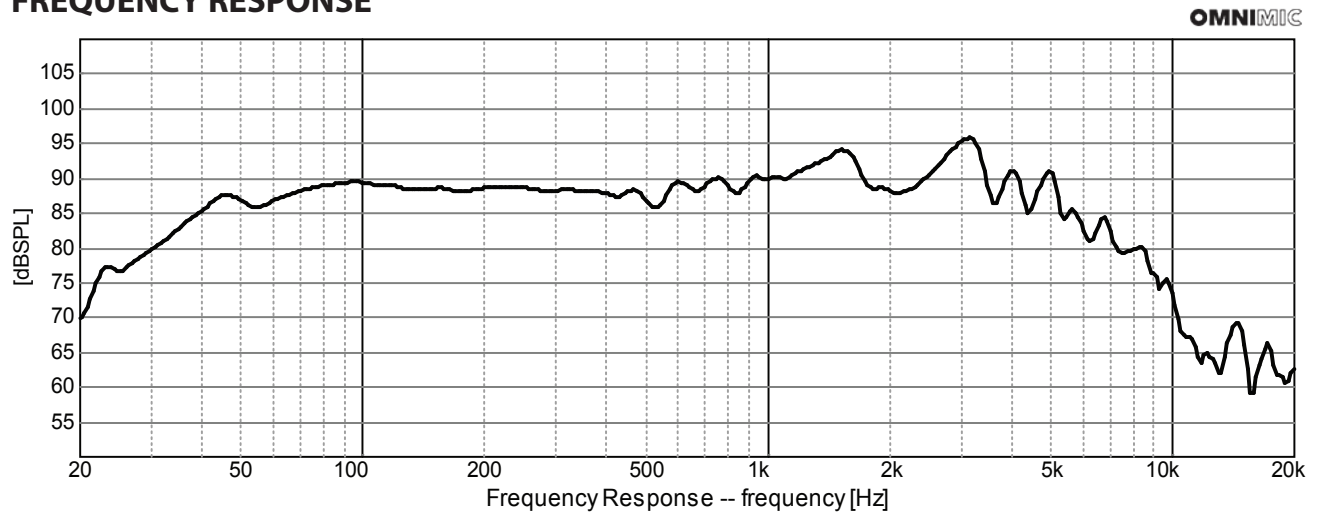
### MECHANICAL DRAWING



### IMPEDANCE/PHASE



### FREQUENCY RESPONSE



Note: 1/24<sup>th</sup> octave smoothing - nearfield response included in graph below 450 Hz.