

WARNING

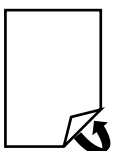
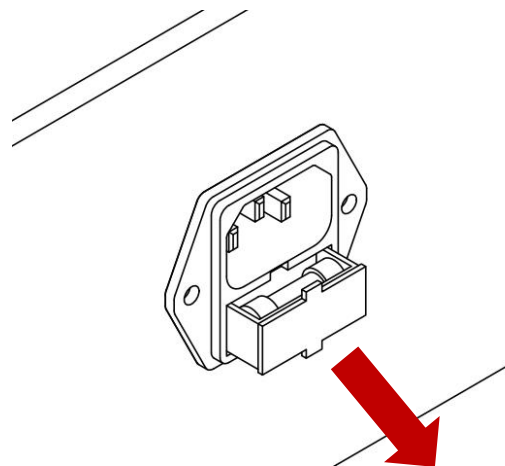
Before use:

The AC voltage selector is set at 120V in the factory. For use within Europe the selector **should** be set to 230V. **Otherwise irreversible damage will occur.**

The AC voltage selection is done by inserting the fuse holder (with the appropriate fuse) in the right position into the IEC socket. You will find the appropriate fuse in a white envelope enclosed.

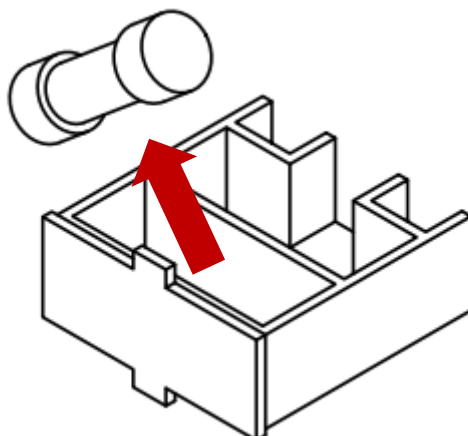
Follow the **four** steps below for a proper set-up. If you require any assistance, please let us know.

Step 1: Remove the fuse holder.

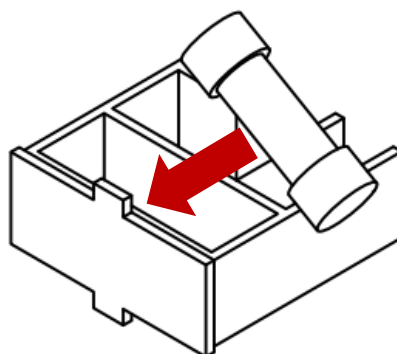


Please continue on overleaf

Step 2: Remove fuse.



Step 3: Insert extra supplied EU fuse and place back the fuse holder into the IEC socket.



Step 4: Set the voltage selector switch in the 230 position. The amplifier is now set for 230V operation.

