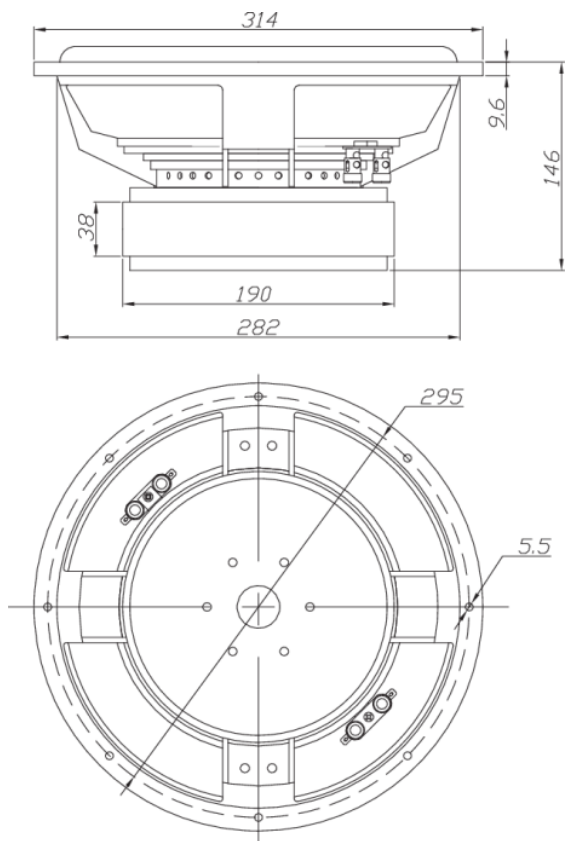




# RSS315HO-44 12" Reference HO DVC Subwoofer 4+4 Ohm

RSS315HO-44



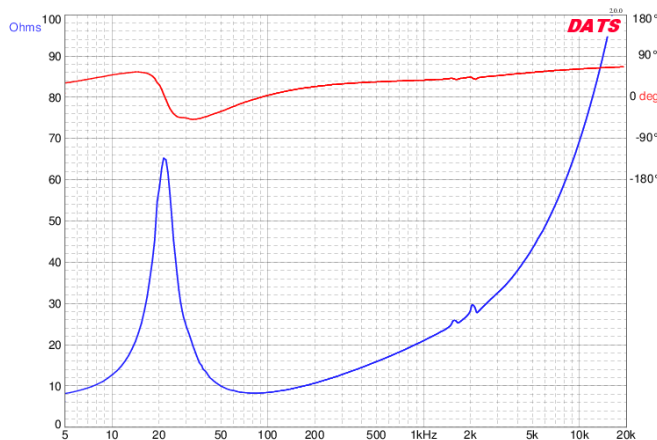
## PARAMETERS

Impedance	4+4 ohms
Re	6.5 ohms
Le	3.17 mH @ 1 kHz
Fs	21.5 Hz
Qms	3.70
Qes	0.41
Qts	0.37
Mms	327.7
Cms	0.17 mm/N
Sd	507.1 cm <sup>2</sup>
Vd	720.6 cm <sup>3</sup>
BL	26.5 Tm
Vas	61.3 liters
Xmax	14.0 mm
VC Diameter	65.5 mm
SPL	84.6 dB @ 2.83V/1m
RMS Power Handling	700 watts
Usable Frequency Range (Hz)	20 - 500 Hz

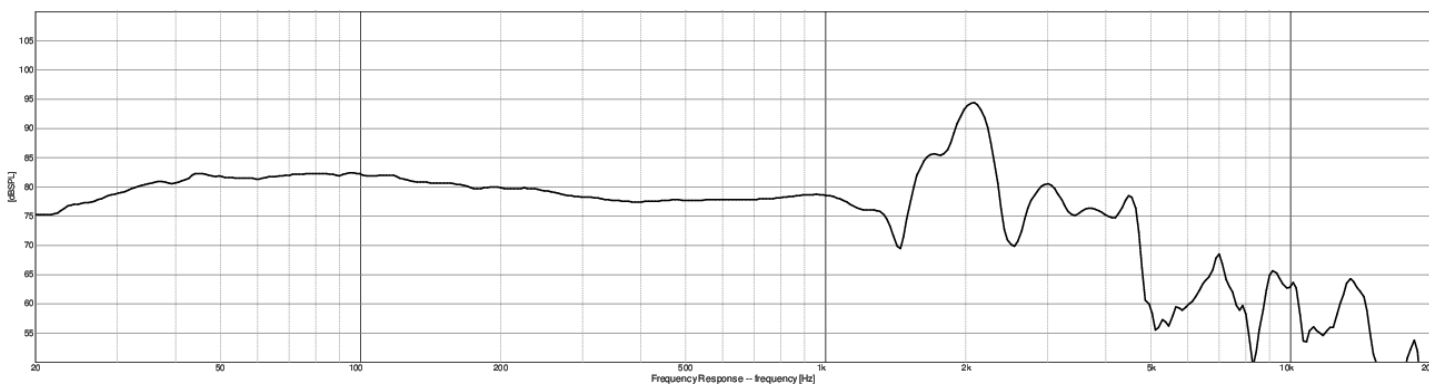
## FEATURES

- Dual 4 ohm voice coils
- Extensively vented motor eliminates compression and allows quiet excursion
- Extra-thick black anodized aluminum cone for maximum rigidity
- Triple shorting-ring motor for ultra-low distortion
- 4-layer coil for high power handling

## IMPEDANCE/PHASE



## FREQUENCY RESPONSE



Note: 1/24<sup>th</sup> octave smoothing - nearfield response included in graph below 450 Hz.

Black = 0°