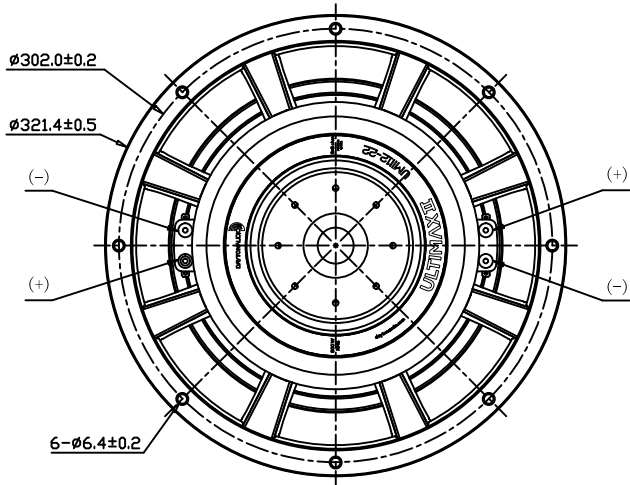
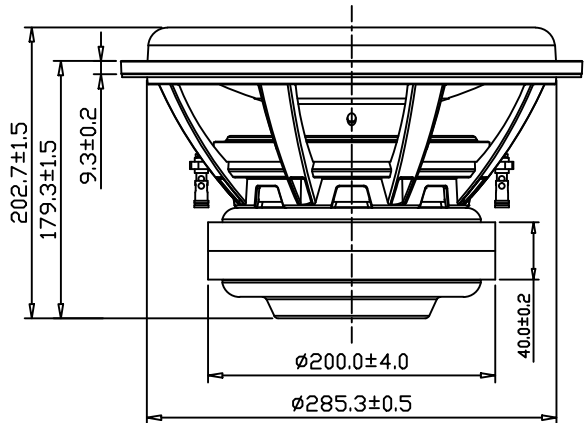




Ultimax II 12" DVC Subwoofer 2 Ohm Per Coil

UMII12-22

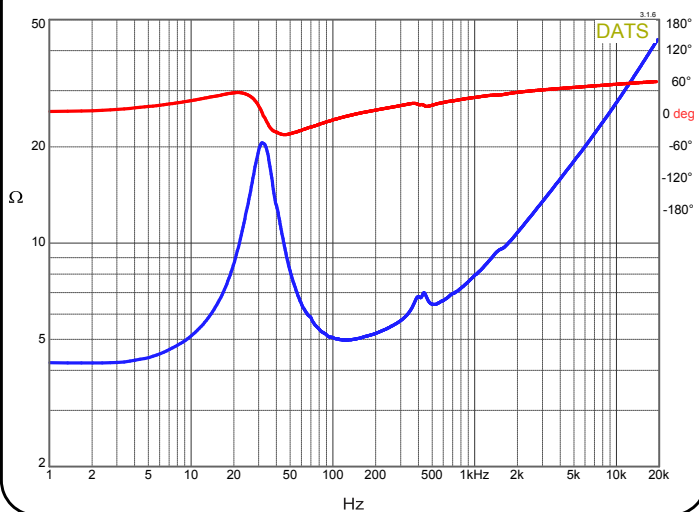


PARAMETERS

Impedance	2 + 2 ohms *
Re	4.2 ohms
Le @ 1 kHz	0.66 mH
Fs	31 Hz
Qms	2.75
Qes	0.71
Qts	0.56
Mms	189g
Cms	0.133 mm/N
Sd	528 cm ²
Vd	1162 cm ³
BL	14.8 Tm
Vas	53 liters
Xmax	22 mm **
VC Diameter	76 mm
SPL	88.6 dB@2.83V/1m
RMS Power Handling (AES 426B)	800 watts
Usable Frequency Range (Hz)	22 - 400 Hz

*Dual 2-ohm voice coils. All specifications measured with voice coils wired in series.
**at 70% BI (Klippel verified)

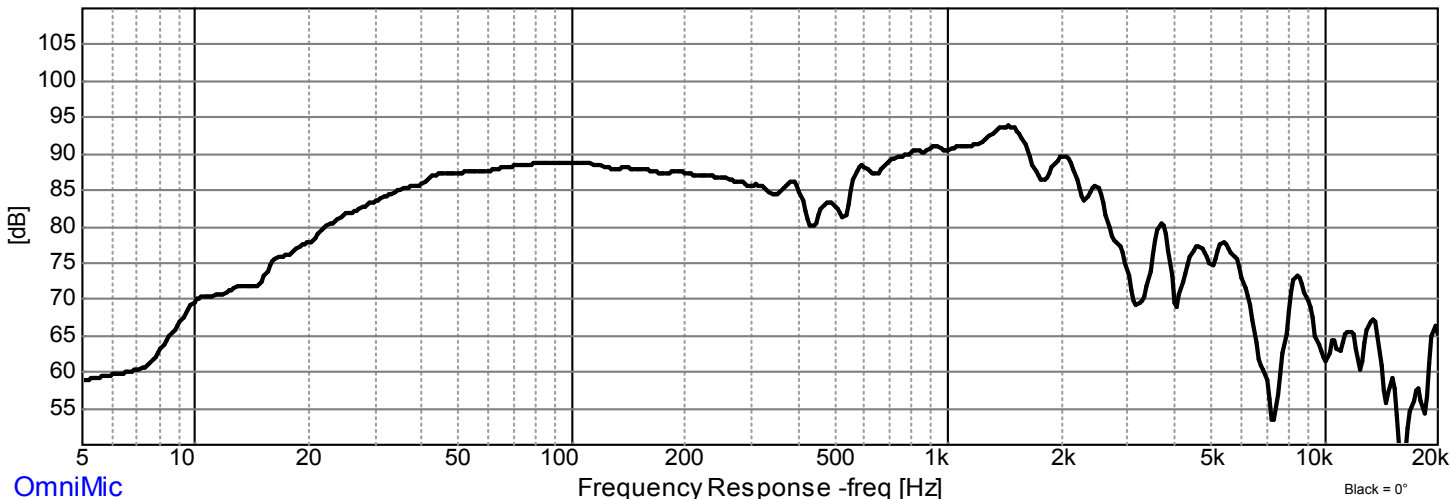
IMPEDANCE/PHASE



FEATURES

- 22 mm Xmax allows the driver to displace substantial amounts of air
- 3" Flat-wound 4-layer copper voice coil for high power handling
- Woven carbon fiber cone offers a sleek appearance and high rigidity
- Large aluminum pole cap and sleeve to minimize distortion
- Dual spiders maintain cone linearity even at extremely high excursion
- Ample venting facilitates maximum airflow across the voice coil

FREQUENCY RESPONSE



OmniMic

Black = 0°