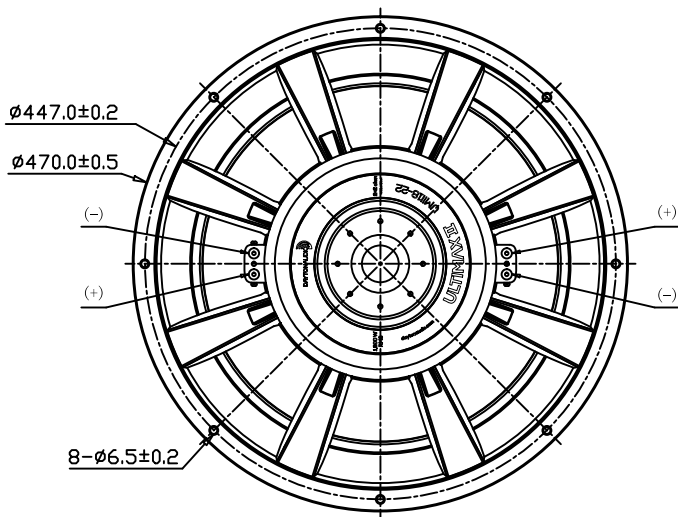
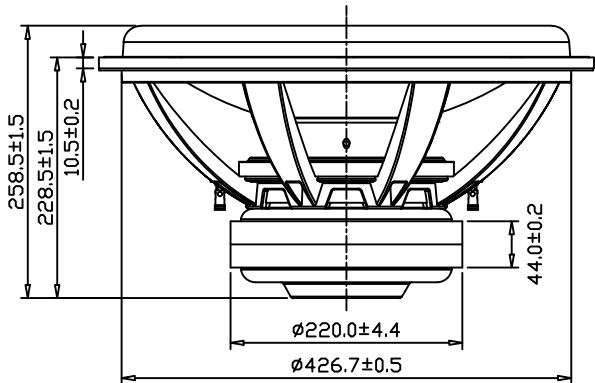


**PARAMETERS**

Impedance	2 + 2 ohms *
Re	4.2 ohms
Le @ 1 kHz	1.15 mH
Fs	22 Hz
Qms	2.53
Qes	0.67
Qts	0.53
Mms	420g
Cms	0.124 mm/N
Sd	1184 cm <sup>2</sup>
Vd	3315 cm <sup>3</sup>
BL	19.2 Tm
Vas	248.2 liters
Xmax	28 mm **
VC Diameter	76 mm
SPL	90.7 dB@2.83V/1m
RMS Power Handling (AES 426B)	1,200 watts
Usable Frequency Range (Hz)	20 - 500 Hz

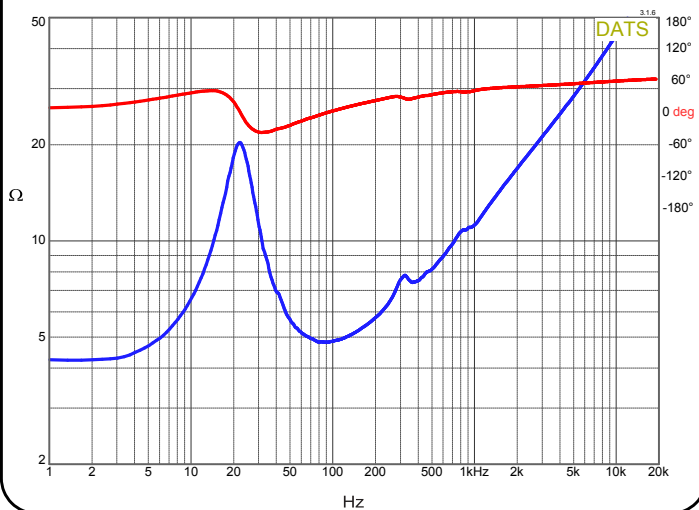
\*Dual 2-ohm voice coils. All specifications measured with voice coils wired in series.  
\*\*at 70% BI (Klippel verified)



**FEATURES**

- 28 mm Xmax allows the driver to displace substantial amounts of air
- 3" Flat-wound 4-layer copper voice coil for high power handling
- Woven carbon fiber cone offers a sleek appearance and high rigidity
- Large aluminum pole cap and sleeve to minimize distortion
- Dual spiders maintain cone linearity even at extremely high excursion
- Ample venting facilitates maximum airflow across the voice coil

**IMPEDANCE/PHASE**



**FREQUENCY RESPONSE**

