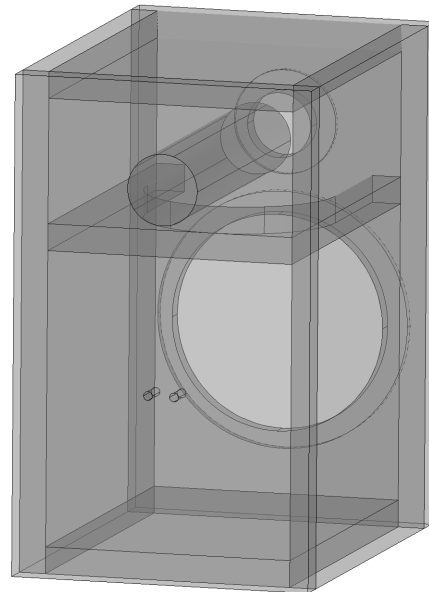
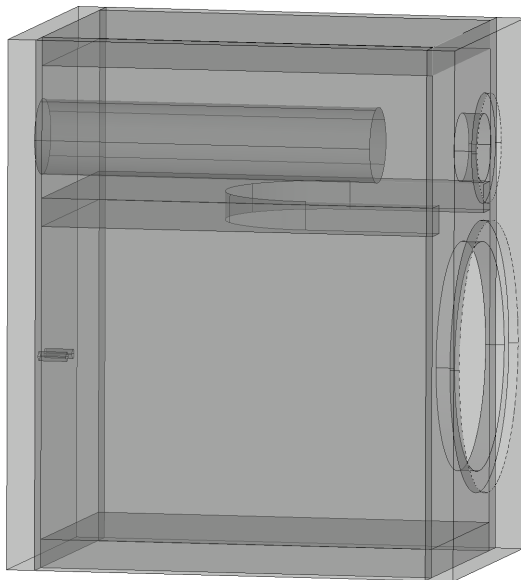
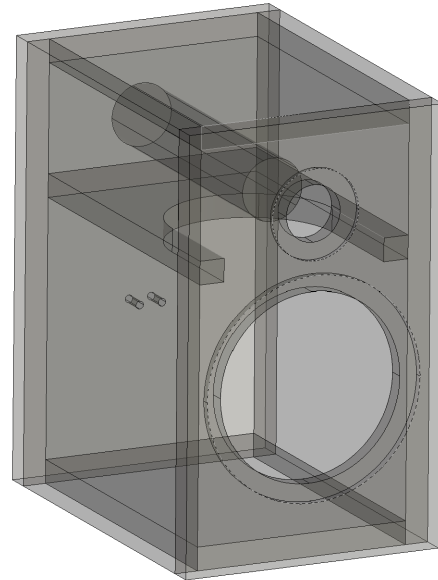
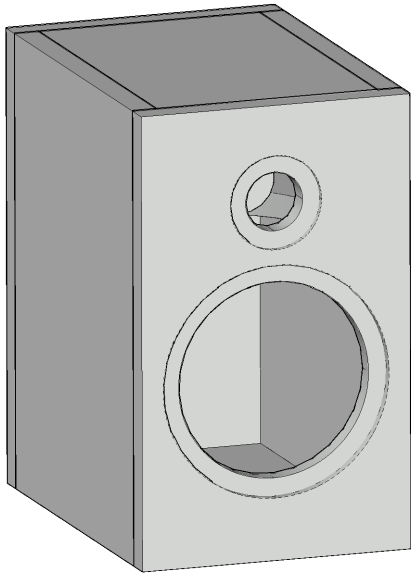




# CREATIVE SOUND SOLUTIONS

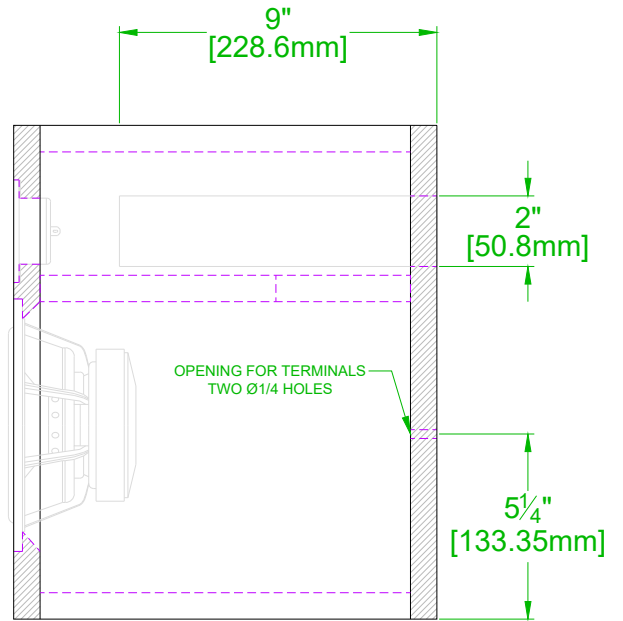
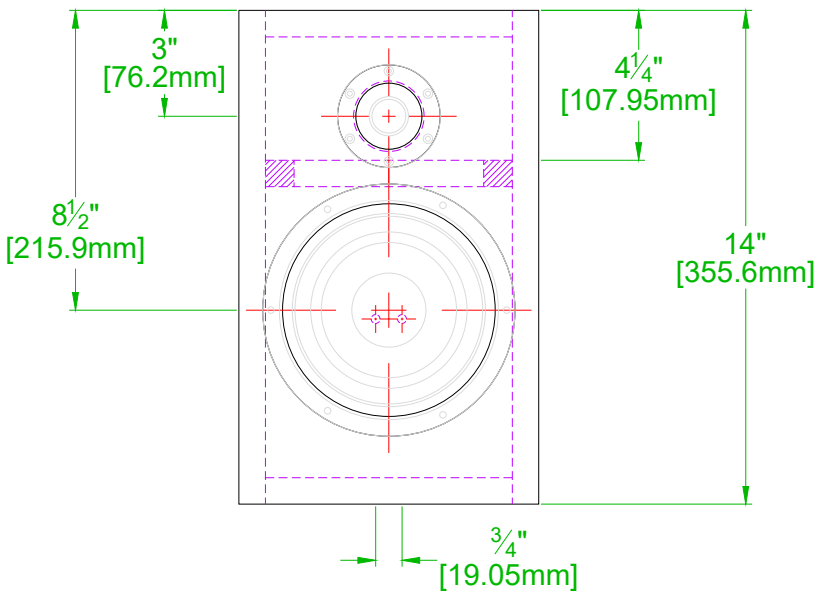
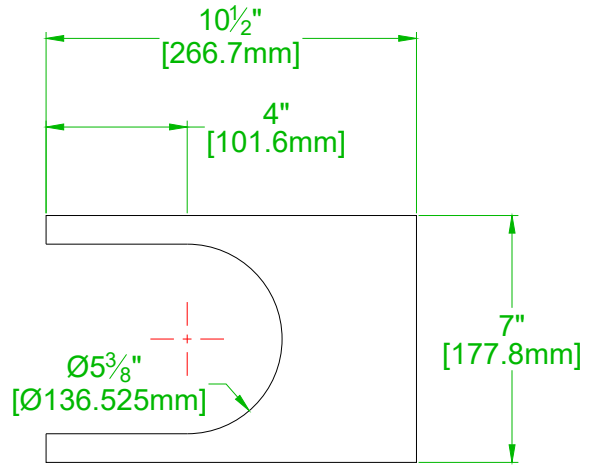
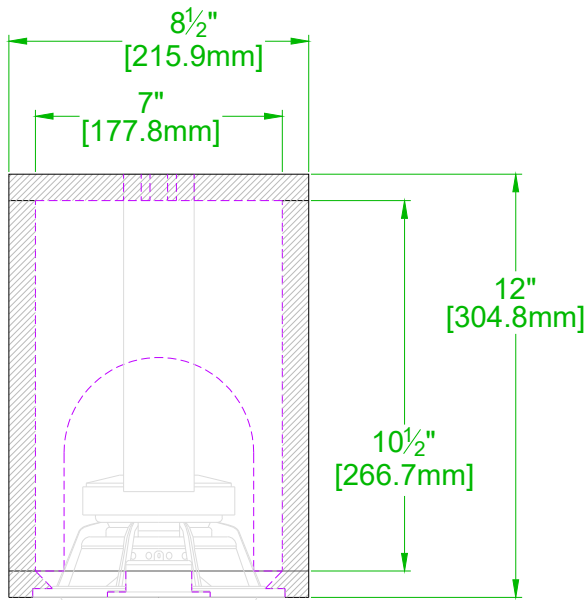
CRITON 1TD-X  
CSS LD25X + LDW7

07 - JANUARY - 2021



CSS CRITON 1TD-X UTILIZES ULTRA LOW DISTORTION DRIVERS  
CSS LDW7 MID WOOFER AND LD25X SOFT DOME TWEETER INTEGRATE SEAMLESSLY  
FREQUENCY RESPONSE 41Hz - 24KHz +/-3dB

CRITON 1TD-X  
07-JANUARY-2021  
DESIGNED BY D POINSETT/K ARMES | DRAWN BY MM  
© 2017-18 CREATIVE SOUND SOLUTIONS, LCC

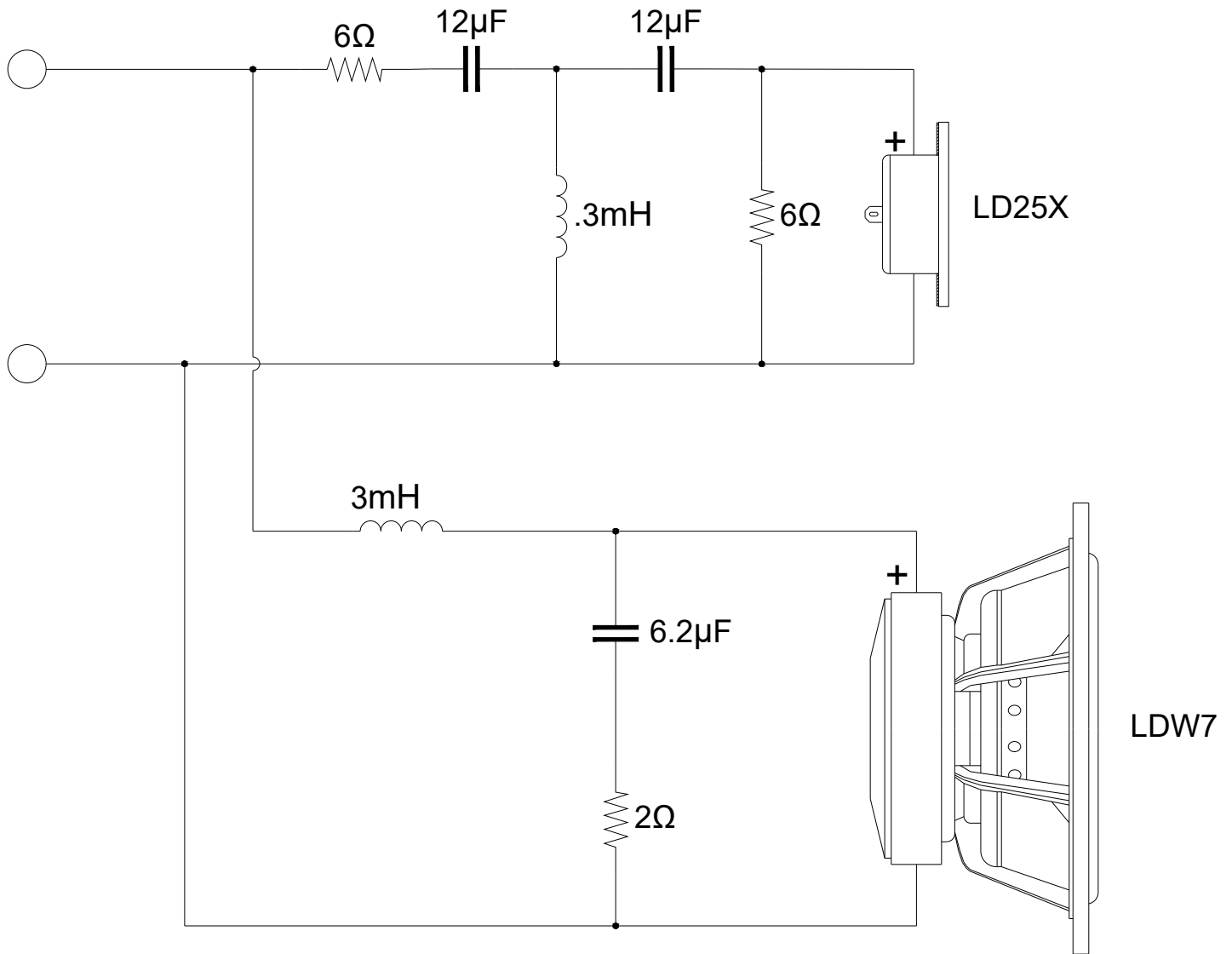


NOTES:

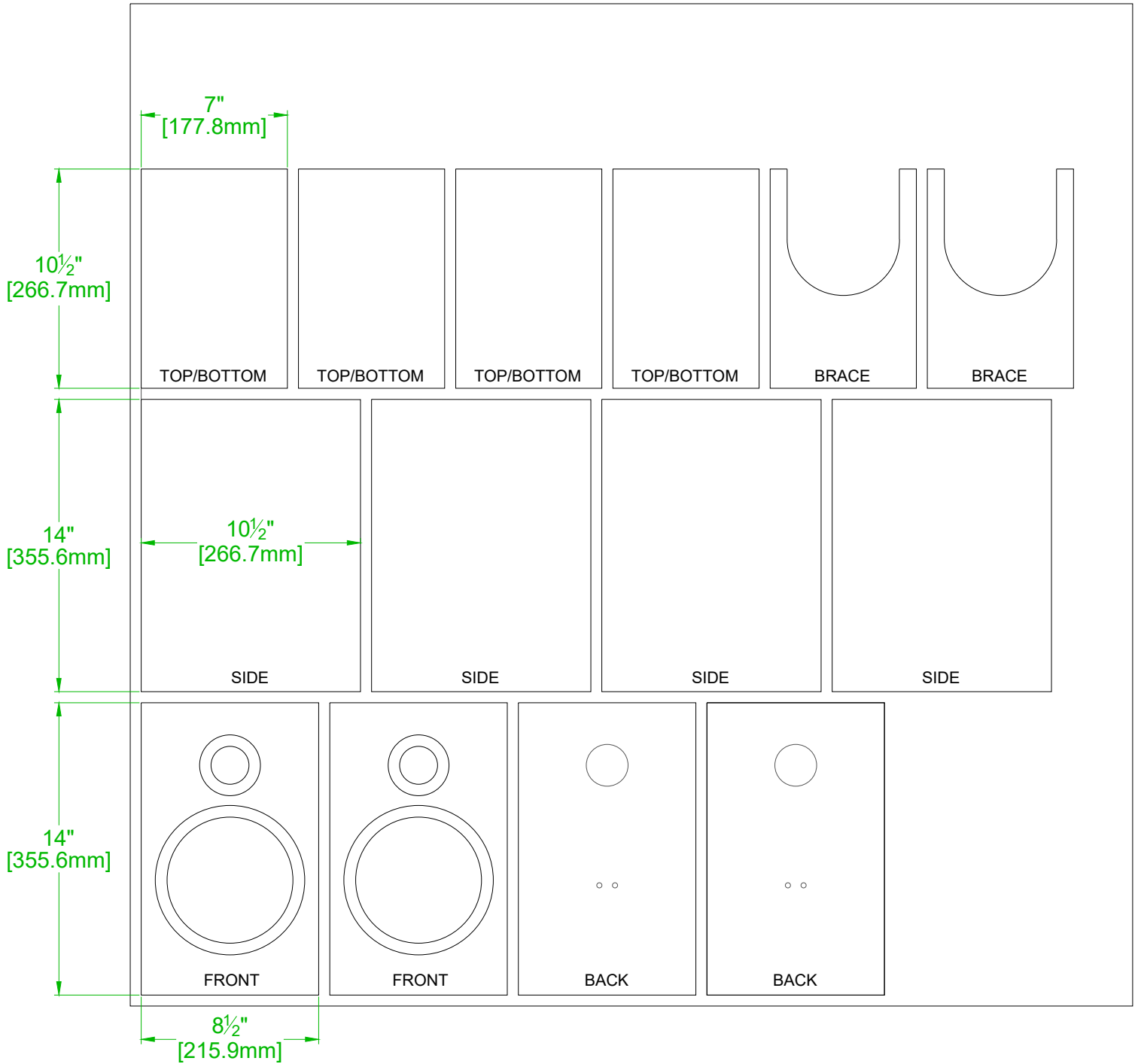
- 1) USES CSS LD25X TWEETER AND CSS LDW7 MIDWOOFER
- 2) DRAWN WITH 1/8" [19.05MM] MATERIAL. QUALITY PLYWOOD OR MDF RECOMMENDED
- 3) LINE WALLS WITH FIBERGLASS, WOOL, OR COTTON FELT
- 4) CHAMFER OR ROUND-OVER THE BACK OF LDW7 BAFFLE CUT OUT



CRITON 1TD-X DIMENSIONS  
07-JANUARY-2021  
DESIGNED BY D POINSETT/K ARMES | DRAWN BY MM  
© 2017-18 CREATIVE SOUND SOLUTIONS, LLC



CRITON 1TD-X CROSSOVER  
 07-JANUARY-2021  
 DESIGNED BY D POINSETT/K ARMES | DRAWN BY MM  
 © 2017-18 CREATIVE SOUND SOLUTIONS, LCC

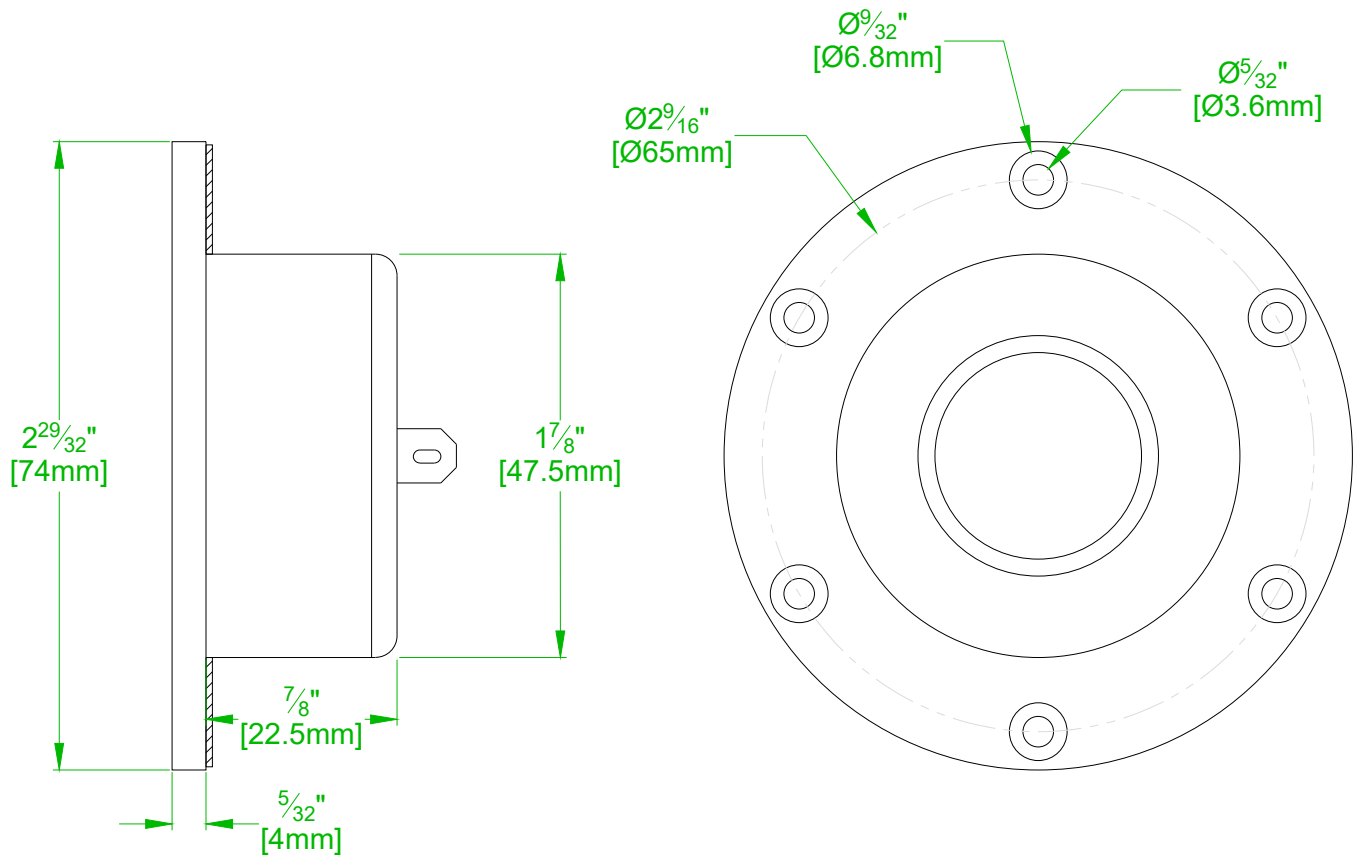


NOTES:

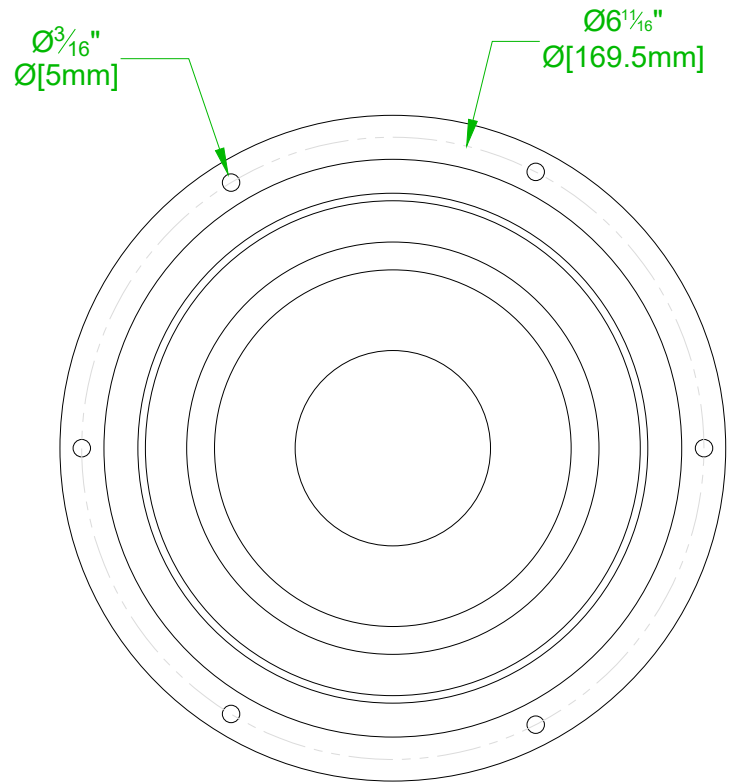
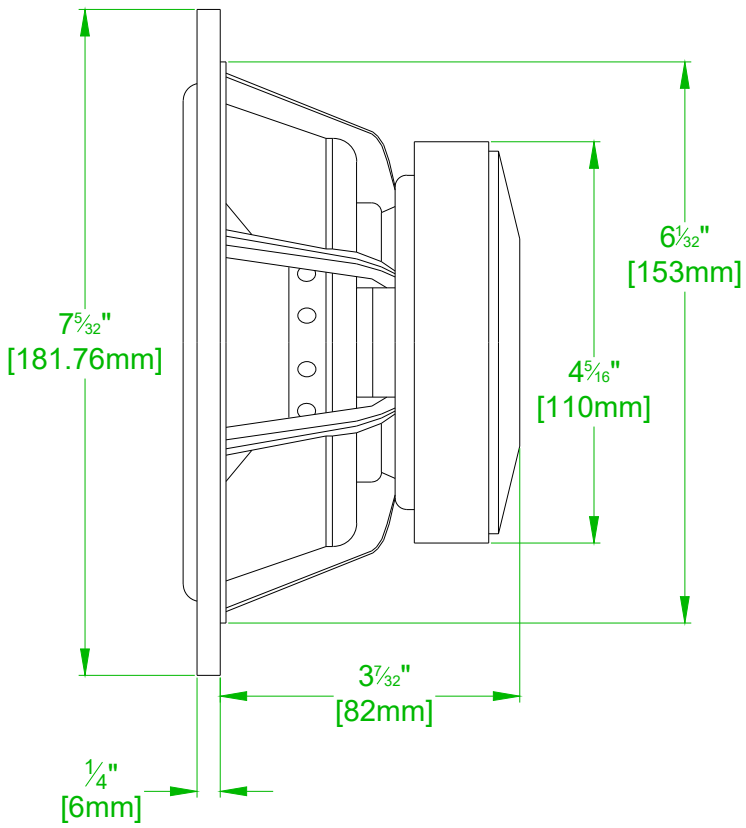
- 1) 4' X 4' SUGGESTED CUT OUT. ¼" [19.05MM] QUALITY PLYWOOD OR MDF RECOMMENDED
- 2) ¼" [6.4mm] TRIM AND KERF
- 3) BEFORE CUTTING MEASURE THE ACTUAL MATERIAL'S THICKNESS AND ADJUST PANEL SIZES AS REQUIRED



CRITON 1TD-X SUGGESTED CUT 4' X 4'  
 07-JANUARY-2021  
 DESIGNED BY D POINSETT/K ARMES | DRAWN BY MM  
 © 2017-18 CREATIVE SOUND SOLUTIONS, LCC



CSS LD25X TWEETER DIMENSIONS  
 07-JANUARY-2021  
 DESIGNED BY D POINSETT/K ARMES | DRAWN BY MM  
 © 2017-18 CREATIVE SOUND SOLUTIONS, LCC



CSS LDW7 MIDWOOFER DIMENSIONS  
 07-JANUARY-2021  
 DESIGNED BY D POINSETT/K ARMES | DRAWN BY MM  
 © 2017-18 CREATIVE SOUND SOLUTIONS, LCC