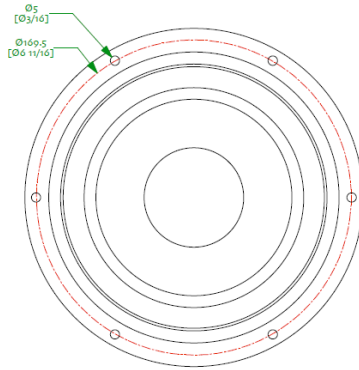
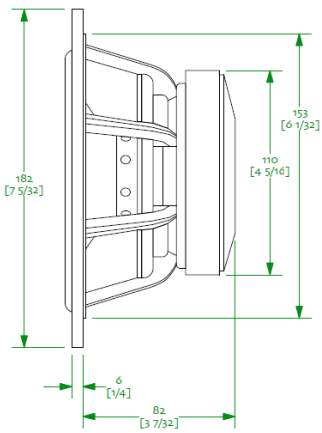




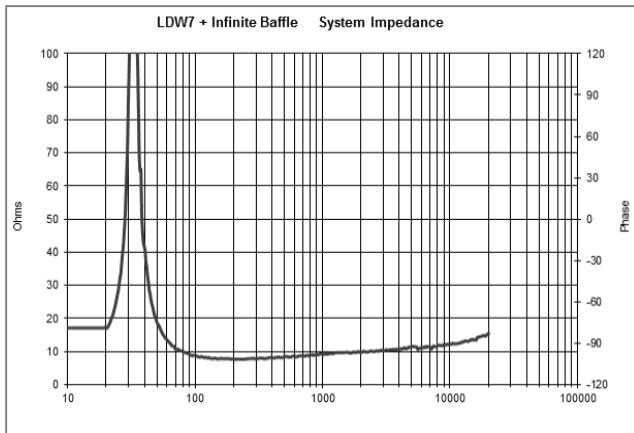
# LDW7 - 7" HIGH PERFORMANCE WOOFER



## FEATURES

- Symmetrical motor structure with field-stabilizing ring reduces even order harmonic distortion
- Copper cap reduces voice coil inductance and distortion over excursion range
- Rigid paper/fiberglass cone for extended pistonic response
- Well vented design reduces distortion, compression, and motor noise
- High power handling 1½" voice coil
- Low-loss suspension (high Qm) for better dynamics and detail

## IMPEDANCE



## SPECIFICATIONS

Impedance	8 Ohm
Re	6.4 Ohm
Le	0.17 mH
Fs	30 Hz
Qms	9.0
Qes	0.39
Qts	0.37
Mms	21.9 g
Bl	8.2
Sd	131 cm <sup>2</sup>
Vas	31 L
Cms	1.3 mm/N

## FREQUENCY RESPONSE - INFINITE BAFFLE, 2.83 V

