

Model No.: BC25SC08-04
 Product Line: Tymphany

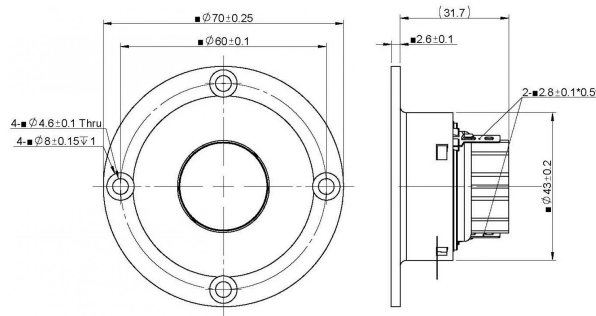
Rev: 1
 Last Update: 2017-04-25 21:32:09

Product Description

This BC family tweeter features a 4 ohm 25 mm voice coil, a damped fabric dome for smooth frequency response performance, and ferrofluid in the gap of the NdFeB motor, providing enhanced cooling of the voice coil. The tweeter comes with a compact faceplate with recessed mounting holes. A finned heat sink has been added for improved power handling.



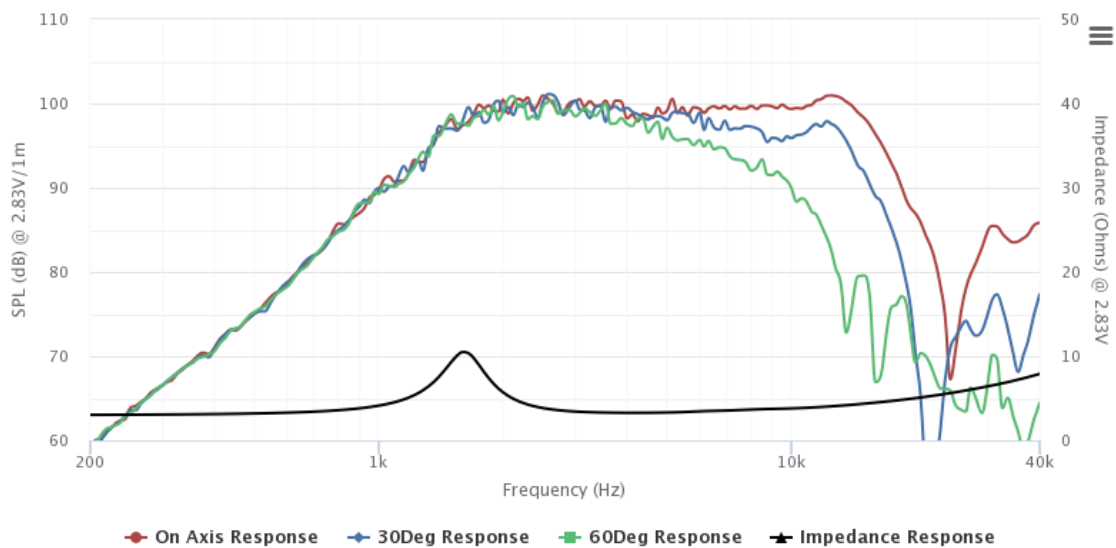
Mechanical Drawing



Specifications

DC Resistance	Revc	Ohms	2.79	5.0%	Energy Bandwidth Product	EBP	(1/Qes)*fs	
Minimum Impedance	Zmin	Ohms	3.27	7.5%	Moving Mass	Mms	g	0.2
Voice Coil Inductance	Le	mH	0.02		Suspension Compliance	Cms	um/N	44.3
Resonant Frequency	Fs	Hz	1663.19	15%	Effective Cone diameter	D	cm	2.55
Mechanical Q Factor	Qms		4.93		Effective Piston Area	Sd	cm ²	5.1
Electrical Q Factor	Qes	1.53			Effective Volume	Vas	L	0
Total Q Factor	Qts	1.17			Motor Force Factor	BL	Tm	1.98
Ratio Fs/Qts	F	Fs/Qts	1425.19		Motor Efficiency Factor	β	(T*M ²)/Ohms	1.4
Half Space Sensitivity @2.83V	db@2.83V/1M	dB	98.77	+/- 1.0db	Voice coil former Material	VCfm	KSV	1.4
Half Space Sensitivity @1W/1M	db@1W/1M	dB	94.9	+/- 1.0db	Voice coil inner diameter	VCd	mm	25.4
Gap Height	Gh	mm	2		Rated Noise Power	P	W	100
Maximum Linear Excursion	Xmax	mm	0		Test Spectrum Bandwidth		2.5kHz~20kHz	
Ferrofluid Type	FF		APG027N		Driver Size	Inch	25 mm	
Driver Mass	Kg	0.08						

Frequency and Impedance Response



Highcharts.com