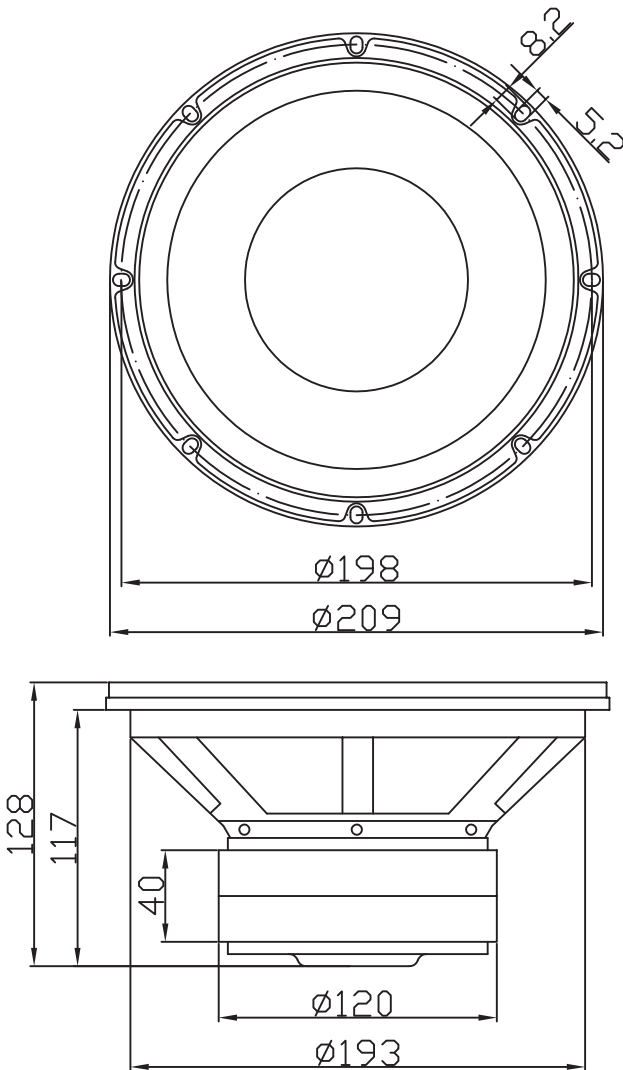




8SW-4HE

8" High Excursion Subwoofer 4 Ohm

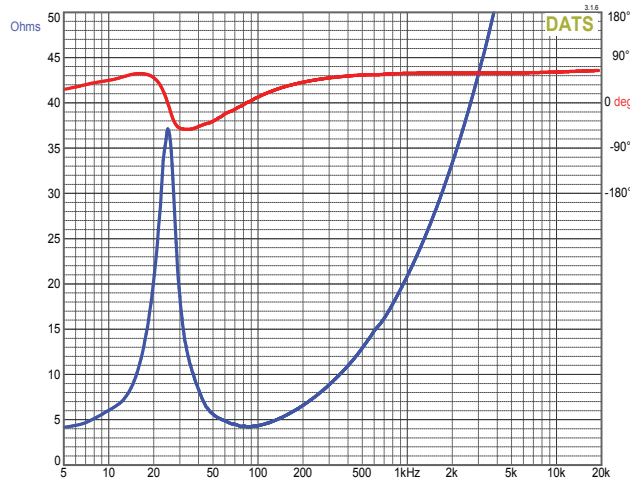
MECHANICAL DRAWING



FEATURES

- High excursion and low Fs to produce powerful low frequency output
- 4-layer 2" voice coil on a thick aluminum former to handle up to 150 watts RMS
- Venting under the spider, through the pole piece, and in the magnetic gap for excellent heat dissipation
- Durable reinforced paper cone with rubber surround produces reliable and consistent performance
- Extended frame and bumped back plate allow ample clearance for high excursion

IMPEDANCE/PHASE

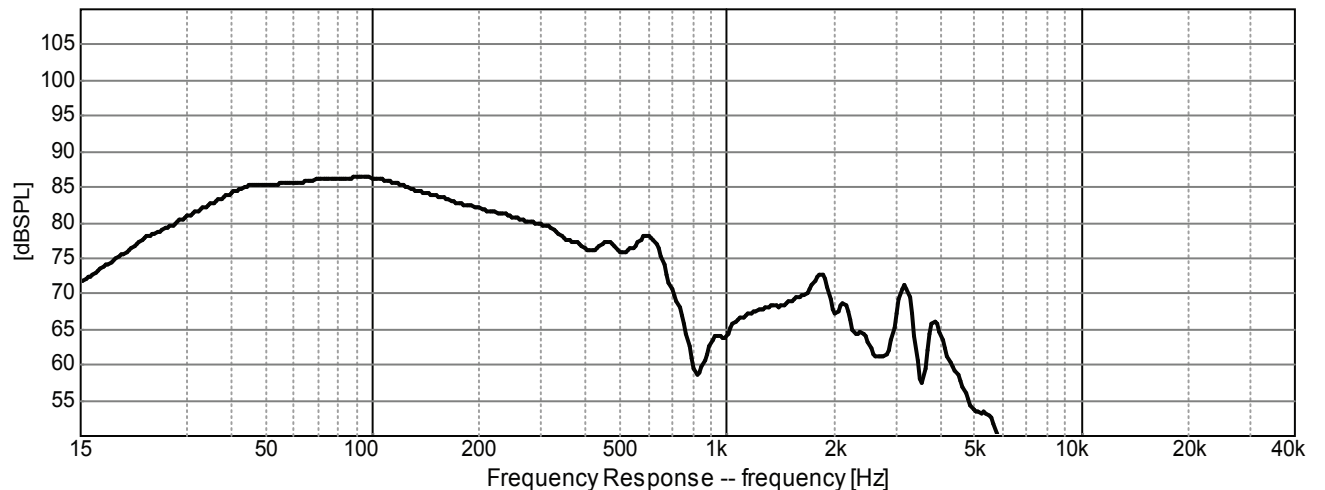


PARAMETERS

Impedance	4 ohms
Re	3.8 ohms
Le	2.7 mH
Fs	24.9 Hz
Qms	4.42
Qes	0.51
Qts	0.45
Mms	93.7 g
Cms	0.44 mm/N
Sd	227 cm ²
Vd	243.9 cm ³
BL	10.51 Tm
Vas	31.6 liters
Xmax	10.5 mm*
VC Diameter	50.8 mm
SPL	85dB @ 2.83V
RMS Power Handling (AES 426B)	150 watts
Usable Frequency Range (Hz)	30 - 700 Hz

*at 70% BI (Klippel verified)

FREQUENCY RESPONSE



Note: 1/24th octave smoothing - nearfield response included in graph below 450 Hz.