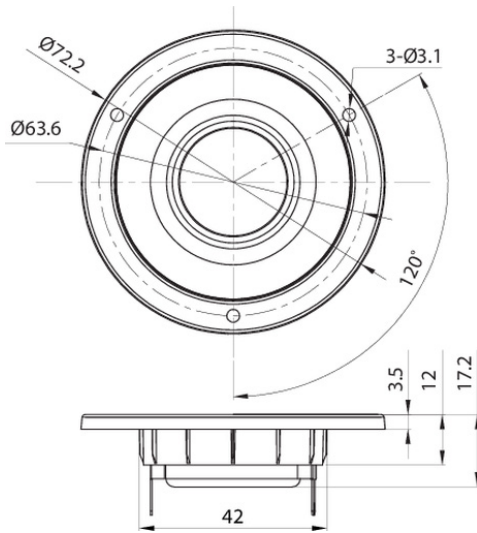




DSN25Ti-4 1" T titanium Dome Neodymium Tweeter with Steel Frame 4 Ohm



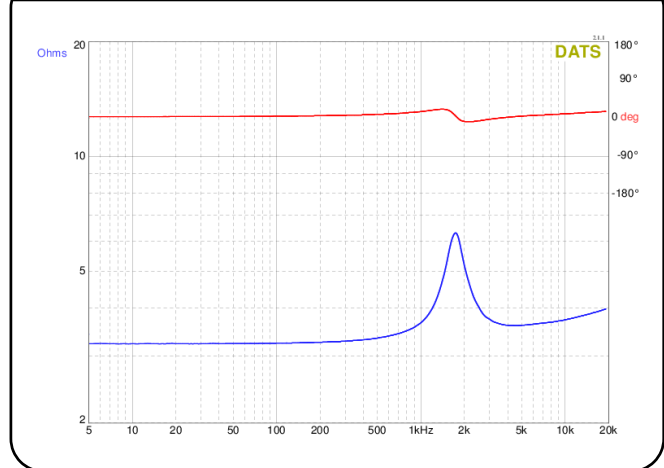
PARAMETERS

Impedance	4 ohms
Re	3.22 ohms
Le	0.03 mH
Fs	1705 Hz
Qms	2.77
Qes	2.93
Qts	1.42
Mms	N/A
Cms	N/A
Sd	N/A
Vd	N/A
BL	N/A
Vas	N/A
Xmax	N/A
VC Diameter	25.4 mm
SPL	96 dB 2.83V/1m
RMS Power Handling	30 watts
Usable Frequency Range (Hz)	3,000 - 20,000 Hz

FEATURES

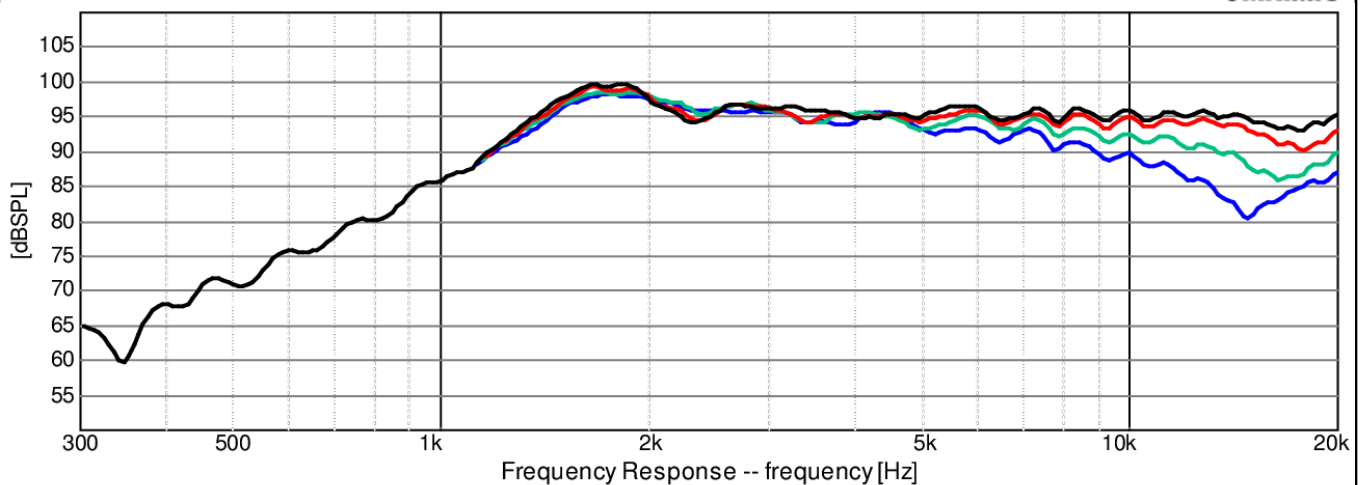
- Titanium dome delivers accuracy and detail with low distortion
- Exceptionally flat treble response for accurate high frequency reproduction
- 1" diameter voice coil with ferrofluid cooling for excellent power handling
- High-strength neodymium motor offers low distortion and high efficiency
- Retains the same "family look" as the popular Designer Series woofers, subwoofers and passive radiators

IMPEDANCE/PHASE



FREQUENCY RESPONSE

OMNIMIC



OmniMic

Note: 1/24th octave smoothing - nearfield response included in graph below 450 Hz.

Black = 0°
Red = 15°
Green = 30°
Blue = 45°